

## Jade Square



### Features

- Ultra modern, stylish and Innovative design
- variety of color cover is optional, Color of cover can be changed individually
- Energy efficient, 100lm/W
- No UV or IR emissions
- Durable with life span over 50,000 hours
- Environmentally friendly – fully recyclable, no mercury or other hazardous materials
- Very simple and convenient installation

### Applications

A perfect luminaire for open space area in various applications such as:

- Restaurants
- Offices
- Residential
- Theatres
- Shopping malls

## Sheenly Transparent Series Lighting

Sheenly new designed Transparent Light Jade Square is a revolutionary product, which developed for ceiling lighting. This product has a built-in driver, and stylish appearance with innovative design. Different color of cover makes it easy to adapt to different interior design themes.

A hybrid of edge lit technology gives an excellent blend of space lighting, making it the first of its kind in the lighting industry. Jade is a perfect luminaire for open space area in various applications.

### Specifications

#### Dimension

12W	11.3"x11.3"x1.65"[288x288x42mm]
18W	13.8"x13.8"x1.81"[350x350x46mm]
24W	15.4"x15.4"x1.81"[390x390x46mm]

#### Power & Lumen Output

12W	1140 lm @ 4000K
18W	1710 lm @ 4000K
24W	2280 lm @ 4000K

#### Color Temperature

Warm White	3000K ±200K
Natural White	4000K ±250K
Day White	5000K ±300K

#### Color Rendering Index

>80

#### Rated Life (L70)

50,000 Hours

#### Housing

Aluminum

#### Optics

Transparent

#### Beam Spread

Up/Down

#### Operating Temperature

-20°C to +45°C (Amb.)

#### Input Voltage

100-277V/AC

#### Power Factor

>0.95

#### Working Voltage & Current

12W	27±2 V/DC & 350mA
18W	39±2 V/DC & 350mA
24W	27±2 V/DC & 700mA

#### Net Weight

1.05 – 1.25 Kg

#### Glow Wire

650 °C (850°C Optional)

#### Protection

IP20/ IK05

#### Installation

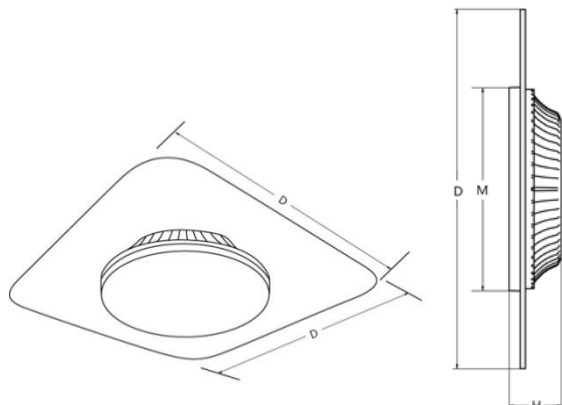
Surface Mounted



REV 1.1

02/08/2017

## Dimension



	Dimension D inch [mm]	Dimension H inch [mm]	Dimension M inch [mm]
<b>12W</b>	11.3" [288]	1.65" [42]	11.3" [288]
<b>18W</b>	13.8" [350]	1.81" [46]	13.8" [350]
<b>24W</b>	15.4" [390]	1.81" [46]	15.4" [390]

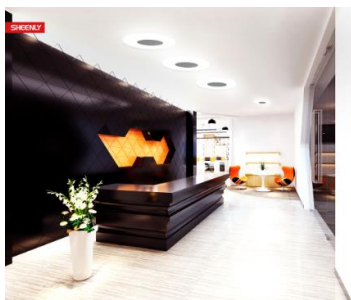
## Ordering Information

Sheenly	Class	Watt	CCT	Model	Finishing	Options
SL=Sheenly Lighting	PAN=Panel	12W 18W 24W	WW=3000 ±200K NW=4000 ±250K DW=5000 ±300K	JS	WH=White	D=Dimmable OC=Occupancy Sensor

\*Standard finishing comes in White, for other finishing color please specify when place the order.

Part Number	Power	CCT	Lumen Output	Beam	Dimension Inch [mm]
SL-PAN-12W-WW-JS	12W	3000 ±200K	1080	UP/DOWN Transparent	11.3"x11.3"x1.65" [288x288x42mm]
SL-PAN-12W-NW-JS		4000 ±250K	1140		
SL-PAN-12W-DW-JS		5000 ±300K	1200		
SL-PAN-18W-WW-JS	18W	3000 ±200K	1620	UP/DOWN Transparent	13.8"x13.8"x1.81" [350x350x46mm]
SL-PAN-18W-NW-JS		4000 ±250K	1710		
SL-PAN-18W-DW-JS		5000 ±300K	1800		
SL-PAN-24W-WW-JS	24W	3000 ±200K	2160	UP/DOWN Transparent	15.4"x15.4"x1.81" [390x390x46mm]
SL-PAN-24W-NW-JS		4000 ±250K	2280		
SL-PAN-24W-DW-JS		5000 ±300K	2400		

## Application



Shanghai Sheenly Lighting Co., Ltd.

No. 2755 SanLu Road, Minhang District Shanghai 201112, China

Tel: (+86)-21-6411 3138 Fax: (+86)-21-6411 3862

\*All specifications subject to change without notice.

©2009-2017 Sheenly Lighting all rights reserved.

## Jade Ceiling Light Installation Manual



Available Type:  Surface Mounting  Wall Mounting

**Step 1**

Jade	A(mm)
12W	100
18W	116
24W	116

**Step 2**

**Step 3**

**Step 2**

**Step 2**

100-277V AC cable

- N Blue
- L Brown
- ⊕ Yellow

**Step 2**

**Step 7**

**Lighting Up  
a New World**